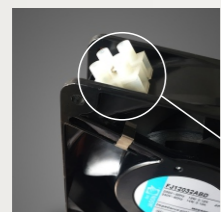
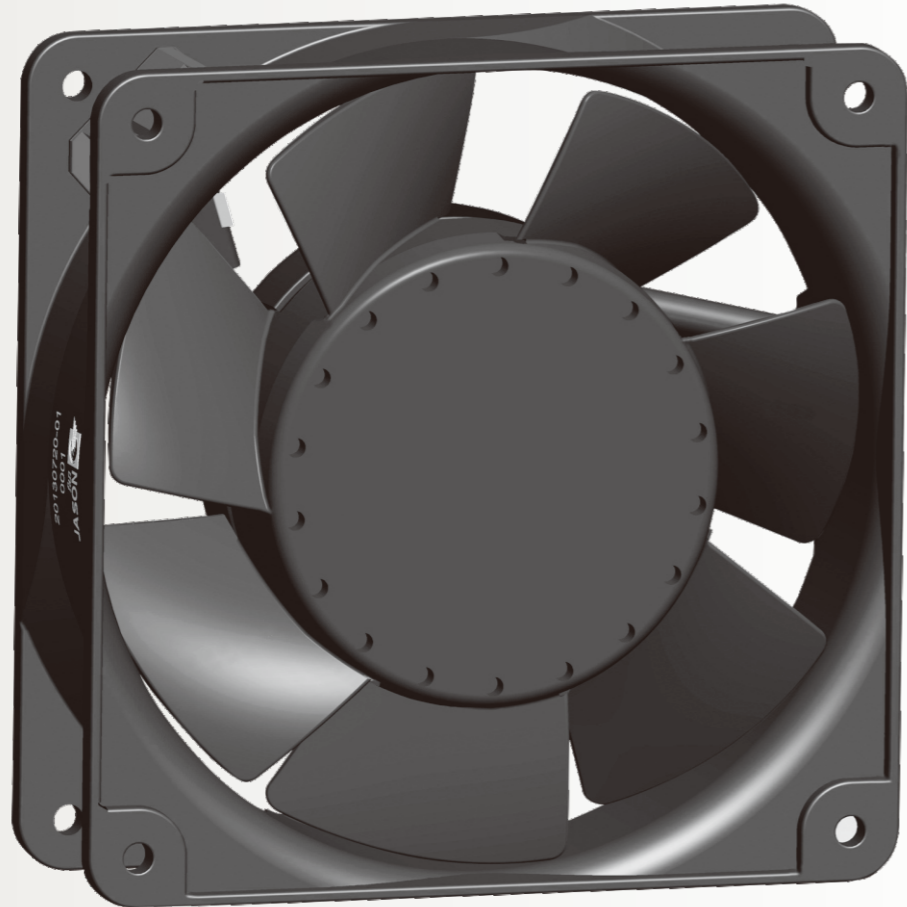


SHADED POLE MOTOR FAN

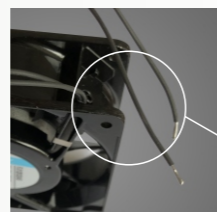
120mm



1 Connection mode
FJ12032ABD



2 Connection mode
FJ12032ABT

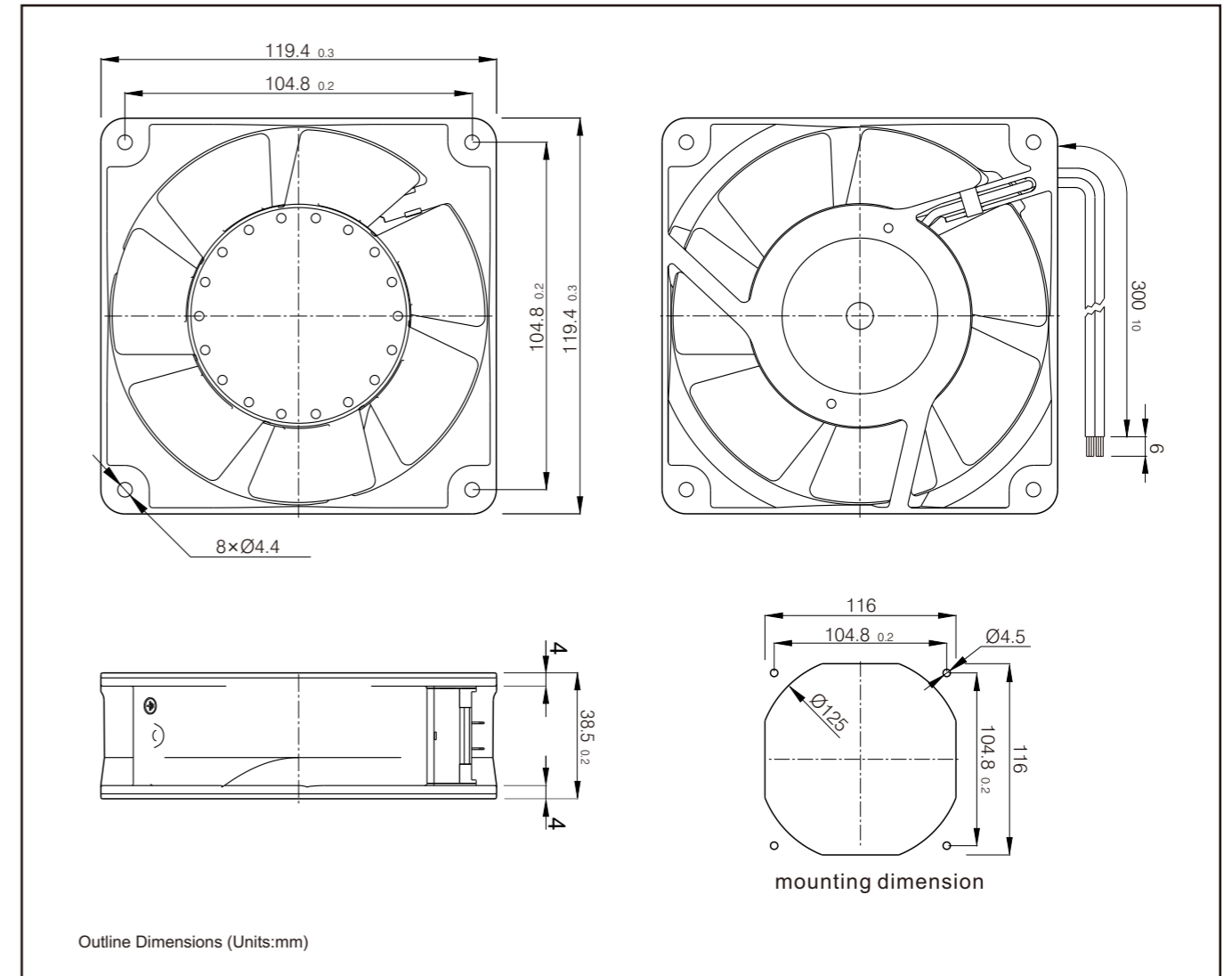


3 Connection mode
FJ12032AB

- 1 **Frame**
Aluminium alloy die-casting, surfaces is finished by black anti-corrosion treatment.
- 2 **Impeller**
Black plastic PBT UL94V-0
- 3 **Operation Temperature/Humidity Range:**
(under unconcretionary state)
-30°C ~ +60°C (temperature), 0% ~ 95% (himidity)
- 4 **Protection**
Impedance Protected
- 5 **Withstand Voltage**
AC 1,800V , 1 min at 0.5mA, 50/60 Hz
- 6 **Insulation System**
design according to IEC61858 Grade B,
- 7 **Protection Grade** IP34

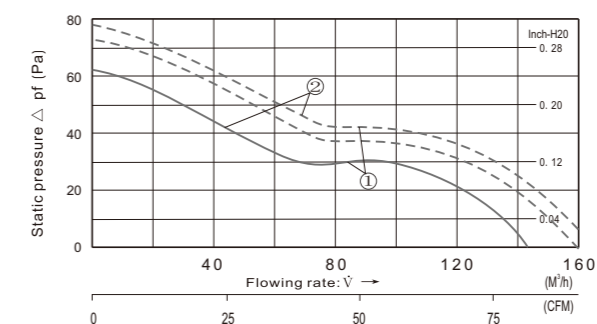
- 1 PBT UL94V-0.
- 2 /
- 3 -40 ~ +65 0% ~ 95%
- 4 :
- 5 AC 1800V 0.5mA 50/60Hz 1
- 6 IEC61858 B
- 7 IP 34

FJ12032AB



- A Rotation direction of blades : CCW seen from the front impellers
- B Power Connection: UL3385-22 Lead wire, (terminal connction)
- C Unit weight: 510g

- A UL3385-22 ()
- B UL3385-22 ()
- C 510g



Parameters

Type	Motor	Rated Voltage	Frequency	current	Power	Speed	Max Air Flow	Static Pressure	Noise	Curve	Capacitor
		V	Hz	(A)	(W) ^{+10% -20%}	(min-1)	CFM m3/h	(Pa)	(dB)		(μF)
FJ12031AS	M2S6301-SB	115	50	0.24	18	2500	85 145	51	34	②	----
FJ12031AB	M2S6301-AB	115	60	0.20	15	2800	100 170	63	37		----
FJ12032AS	M2E6301-SB	230	50	0.12	19	2500	85 145	51	34	①	----
FJ12032AB	M2E6301-AB	230	60	0.10	14	2700	95 160	63	37		----
FJ12033AB	M2D6301-AB	380	50	0.07	18	2500	85 145	51	34	②	----
			60	0.06	16	2800	100 170	63	37		----