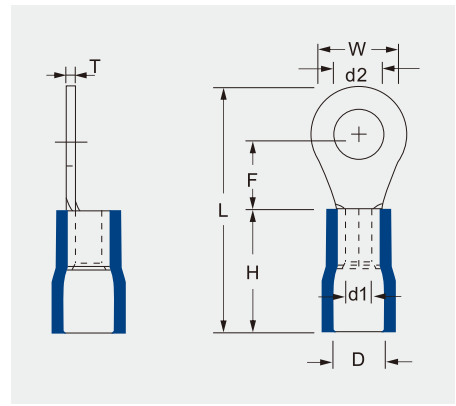


Vinyl-Insulated Ring Terminals

- Maximum electrical rating: 600 volts
- Maximum temperature: 75°C
- Terminals material : copper
- Plating: Tin plated
- Insulation material: vinyl (PVC)

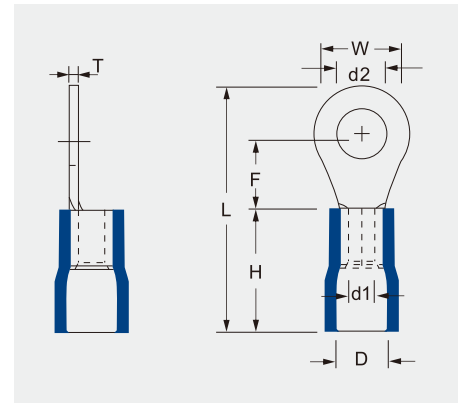


B

ITEM NO .	STUD SIZE		DIMENSION mm								PCS/ PACK	COLOR	EXPLANATION
	Metric	American	d2	W	F	L	H	d1	D	T			
RV1.25-3.2	3	#4	3.2	5.7	4.95	17.8	10.0	1.7	4.2	0.8	100	● Red	Wire range: 0.5-1.5mm ² A. W. G.: (22-16) Max.current=19A
RV1.25-3.5S	3.5	#6	3.7										
RV1.25-3.5M	3.5	#6	3.7										
RV1.25-3.5L	3.5	#6	3.7	6.6	6.3	19.6							
RV1.25-4S	4	#8	4.3	6.6	6.3	19.6							
RV1.25-4L	4	#8	4.3	8.0	7.0	21.0							
RV1.25-5	5	#10	5.3	8.0	7.0	21.0							
RV1.25-5L	5	#10	5.3	9.5	7.5	22.3							
RV1.25-6	6	1/4 "	6.5	11.6	11.2	27.0							
RV1.25-8	8	5/16 "	8.5	11.6	11.2	27.0							
RV1.25-10	10	3/8 "	10.5	13.6	13.9	30.7							
RV1.25-12	12	1/2 "	13.0	19.2	16.0	35.6							
RV2-3.2	3	#4	3.2	6.6	6.4	19.7	10.0	2.3	4.7	0.8	100	● Blue	Wire range : 1.5-2.5mm ² A. W. G. : (16-14) Max.current=27A
RV2-3.5	3.5	#6	3.7										
RV2-3.5M	3.5	#6	3.7										
RV2-3.5L	3.5	#6	3.7	6.6	7.9	21.2							
RV2-4S	4	#8	4.3	6.6	7.9	21.2							
RV2-4L	4	#8	4.3	8.5	7.75	22.0							
RV2-5S	5	#10	5.3	8.5	7.75	22.0							
RV2-5L	5	#10	5.3	9.5	7.5	22.3							
RV2-6	6	1/4 "	6.5	12.0	11.0	27.0							
RV2-8	8	5/16 "	8.5	12.0	11.0	27.0							
RV2-10	10	3/8 "	10.5	13.6	13.9	30.7							
RV2-12	12	1/2 "	13.0	19.2	16.0	35.6							
RV3.5-4	4	#8	4.3	8.0	7.7	24.7	13.0	2.9	6.2	1.0	100	● Black	Wire range : 2.5-4mm ² A. W. G. : (14-12) Max.current=37A
RV3.5-5S	5	#10	5.3										
RV3.5-6	6	1/4 "	6.5										
RV3.5-8	8	5/16 "	8.5	15.0	13.5	34.0							

Vinyl-Insulated Ring Terminals

- Maximum electrical rating: 600 volts
- Maximum temperature: 75°C
- Terminals material : copper
- Plating: Tin plated
- Insulation material: vinyl (PVC)



ITEM NO .	STUD SIZE		DIMENSION mm								PCS/ PACK	COLOR	EXPLANATION			
	Metric	American	d2	W	F	L	H	d1	D	T						
RV5.5-3.5	3.5	#6	3.7	7.2	5.9	22.5	13.0	3.4	6.5	1.0	100	● Yellow	Wire range : 4-6mm ² A. W. G. : (12-10) Max.current=48A			
RV5.5-4S	4	#8	4.3													
RV5.5-4L	4	#8	4.3	9.5	8.85	26.6										
RV5.5-5	5	#10	5.3													
RV5.5-6	6	1/4 "	6.5	15.0	13.5	34.0										
RV5.5-8	8	5/16 "	8.5													
RV5.5-10	10	3/8 "	10.5	19.2	16.0	38.6										
RV5.5-12	12	1/2 "	13.0													
RV8-4S	4.0	#8	4.3	8	9.3	29.3	16.0	4.5	8.0	1.2	100	● Red	Wire range : 6-10mm ² A. W. G. : (8) Max.current=62A			
RV8-5S	5.0	#10	5.3	8.8	9.3	29.7										
RV8-5M	5.0	#10	5.3	12.0	9.3	31.3										
RV8-5L	5.0	#10	5.3	15.0	13.8	37.3										
RV8-6S	6.0	1/4 "	6.5	12.0	9.3	31.3										
RV8-8	8	5/16 "	8.5	15.0	11.1	37.3										
RV8-10	10	3/8 "	10.5													
RV8-12	12	1/2 "	13.0	20.0	15.0	41.0										
RV14-4	4	#8	4.3	12.0	13.3	40.8	21.5	5.4	11.0	1.4	50	● Blue	Wire range : 10-16mm ² A. W. G. : (6) Max.current=88A			
RV14-5	5	#10	5.3													
RV14-6S	6	1/4 "	6.5													
RV14-8	8	5/16 "	8.5											16.0	14.5	43.5
RV14-10	10	3/8 "	10.5													
RV14-12	12	1/2 "	13.0	22.0	19.5	52.0										
RV22-5S	5	#10	5.3	12.2	15.1	44.7	23.5	7.7	13.0	1.6	50	● Yellow	Wire range : 16-25mm ² A. W. G. : (4) Max.current=115A			
RV22-6S	6	1/4 "	6.5	12.2	15.1	44.7										
RV22-8	8	5/16 "	8.5	16.5	13.5	45.2										
RV22-10	10	3/8 "	10.5													
RV22-12	12	1/2 "	13.0	22.0	19.5	54.0										
RV38-5	5	#10	5.3	15.3	17.4	52.0	27.0	9.4	14.5	1.7	20	● Red	Wire range : 35mm ² A. W. G. : (2) Max.current=160A			
RV38-6	6	1/4 "	6.5													
RV38-8S	8	5/16 "	8.5													
RV38-10S	10	3/8 "	10.5											15.3	17.4	52.0
RV38-12	12	1/2 "	13.0											22.0	17.7	55.7