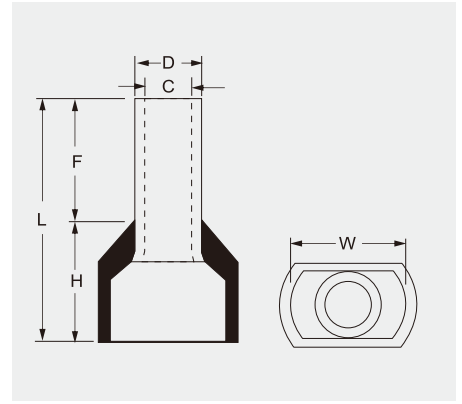


Twin Cord End Terminals

- Maximum electrical rating: 75°C, 600V
- Insulation: Vinyl
- Terminal Body: Copper
- Plating: Tin



F

ITEM NO.	DIMENSION mm						PCS/ PACK	STANDARD COLOR	SELECTED COLOR
	F	L	W	H	D	C			
TE0508	8.0	14.5	5.0	6.5	1.8	1.5	1000	White	<ul style="list-style-type: none"> ● R ● B ● Y ● BK ● G ● GY ○ W ● O
TE0510	10.0	16.5							
TE7508	8.0	14.7	5.5	6.7	2.1	1.8	1000	Blue Gray	
TE7510	10.0	16.7							
TE1008	8.0	15.1	5.5	7.1	2.3	2.0	1000	Red	
TE1010	10.0	17.1							
TE1508	8.0	15.5	6.4	7.5	2.6	2.3	1000	Black Yellow	
TE1512	12.0	19.5							
TE2510	10.0	18.5	8.0	8.5	3.3	2.9	1000	Gray Blue	
TE2513	13.0	21.5							
TE4012	12.0	23.1	8.8	11.1	4.2	3.8	1000	Orange Gray	
TE6014	14.0	26.1	9.5	12.1	5.3	4.9	500	Green Yellow	
TE10-14	14.0	26.6	12.6	12.6	6.9	6.5	500	Brown Red	
TE16-14	14.0	31.3	19.0	17.3	8.7	8.3	250	Milk Blue	