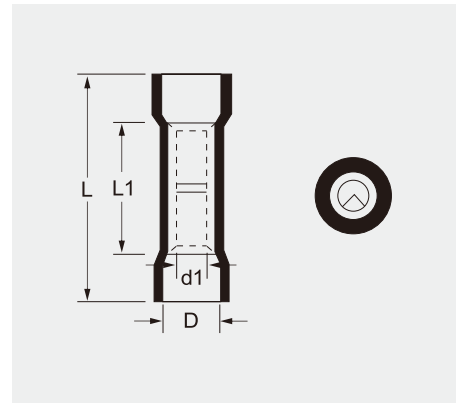


Vinyl-Insulated
Butt Splice Connectors

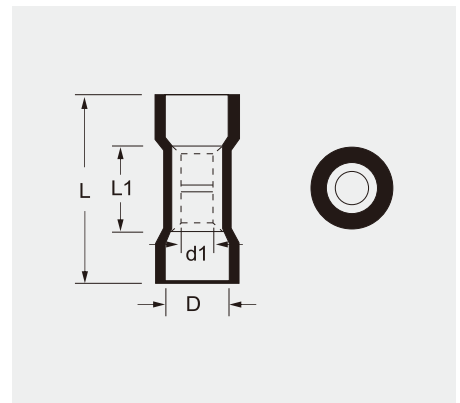
- Maximum electrical rating: 75°C, 600V
- Insulation: Vinyl
- Terminal Body: Copper
- Plating: Tin



ITEM NO .	DIMENSION mm				I _{max}	WIRE RANGE		PCS/ PACK	COLOR	EXPLANATION
	L	L1	D	d1		A. W. G	mm ²			
BV 1.25	24.6	15.0	4.2	2.15	19A	22-16	0.5-1.5	100	Red	Wire range: 0.5~1.5mm ² A.W.G = 22-16
BV 2	24.6	15.0	4.7	2.75	27A	16-14	1.5-2.5	100	Blue	Wire range: 1.5~2.5mm ² A.W.G = 16-14
BV 5.5	26.0	15.0	6.3	4.25	48A	10-12	4-6	100	Yellow	Wire range: 4~6mm ² A.W.G = 12-10
BV 8	35.0	21.0	8.5	5	62A	8 (8)	6-10	100	Red	Wire range: 8mm ² A.W.G = 8
BV 14	45.0	26.0	10.5	6.6	88A	14 (6)	10-16	50	Blue	Wire range: 14mm ² A.W.G = 6
BV 22	52.0	29.0	12.5	8.0	115A	22 (4)	16-25	50	Yellow	Wire range: 22mm ² A.W.G = 4
BV 38	55.0	32.0	15.5	10.0	160A	38 (2)	25-35	50	Red	Wire range: 38mm ² A.W.G = 2

Vinyl-Insulated
Parallel Splice Connectors

- Maximum electrical rating: 75°C, 600V
- Insulation: Vinyl
- Terminal Body: Copper
- Plating: Tin



ITEM NO .	DIMENSION mm				I _{max}	WIRE RANGE		PCS/ PACK	COLOR	EXPLANATION
	L	L1	D	d1		A. W. G	mm ²			
PVT 1.25	16.0	8.0	4.3	2.3	19A	22-16	0.5-1.5	100	Red	Wire range: 0.5~1.5mm ² A.W.G = 22-16
PVT2	16.0	8.0	5.0	2.95	27A	16-14	1.5-2.5	100	Blue	Wire range: 1.5~2.5mm ² A.W.G = 16-14
PVT5.5	20.5	8.5	6.3	4.45	48A	10-12	4-6	100	Yellow	Wire range: 4~6mm ² A.W.G = 12-10