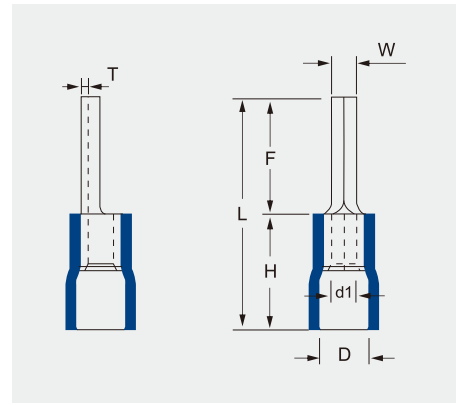


Vinyl-Insulated Pin Terminals

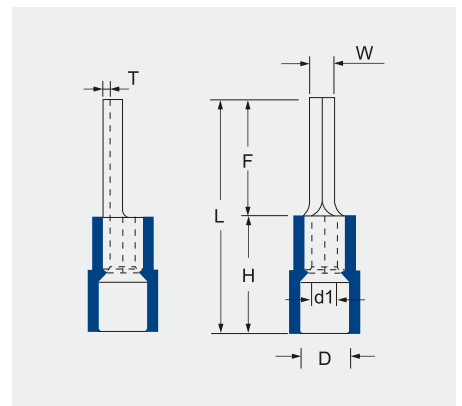
- Maximum electrical rating: 600 volts
- Maximum temperature: 75°C
- Terminals material : copper
- Plating: Tin plated
- Insulation material: vinyl (PVC)



ITEM NO .	DIMENSION mm							PCS/ PACK	COLOR	EXPLANATION
	W	F	L	H	d1	D	T			
PTV1.25-10	1.9	10.0	20.0	10.0	1.7	4.2	0.8	100	Red	Wire range : 0.5-1.5mm <sup>2</sup> A. W. G. : (22-16) Max.current=19A
PTV1.25-12		12.0	22.0							
PTV1.25-18		18.0	27.0							
PTV2-10	1.9	10.0	20.0	10.0	2.3	4.7	0.8	100	Blue	Wire range : 1.5-2.5mm <sup>2</sup> A. W. G. : (16-14) Max.current=27A
PTV2-12		12.0	22.0							
PTV2-18		18.0	27.0							
PTV5.5-13	2.8	13.0	26.0	13.0	3.4	6.5	1.0	100	Yellow	Wire range : 4-6mm <sup>2</sup> A. W. G. : (12-10) Max.current=48A

Nylon-Insulated Pin Terminals

- Maximum electrical rating: 600 volts
- Maximum temperature: 105°C
- Terminals material : copper
- Plating: Tin plated
- Insulation material: easy entry nylon



ITEM NO .	DIMENSION mm							PCS/ PACK	COLOR	EXPLANATION
	W	F	L	H	d1	D	T			
PTNY1.25-10	1.9	10.0	21.0	11.0	1.7	4.3	0.8	100	Red	Wire range : 0.5-1.5mm <sup>2</sup> A. W. G. : (22-16) Max.current=19A
PTNY1.25-12		12.0	23.0							
PTNY1.25-18		18.0	28.0							
PTNY2-10	1.9	10.0	21.0	11.0	2.3	4.8	0.8	100	Blue	Wire range : 1.5-2.5mm <sup>2</sup> A. W. G. : (16-14) Max.current=27A
PTNY2-12		12.0	23.0							
PTNY2-18		18.0	28.0							
PTNY5.5-13	2.8	13.0	26.0	13.0	3.4	6.7	1.0	100	Yellow	Wire range : 4-6mm <sup>2</sup> A. W. G. : (12-10) Max.current=48A