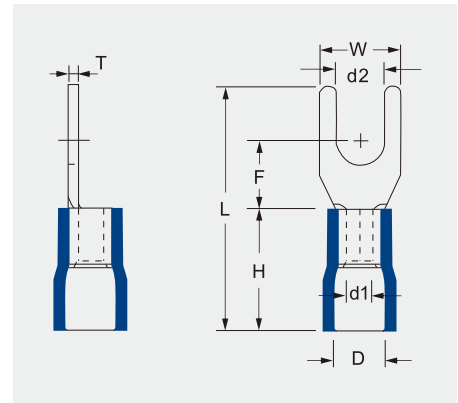


Vinyl-Insulated Spade Terminals

- Maximum electrical rating: 600 volts
- Maximum temperature: 75°C
- Terminals material : copper
- Plating: Tin plated
- Insulation material: vinyl (PVC)

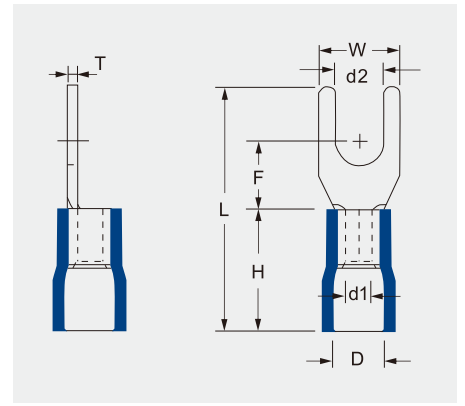


B

ITEM NO .	STUD SIZE		DIMENSION mm								PCS/ PACK	COLOR	EXPLANATION									
	Metric	American	d2	W	F	L	H	d1	D	T												
SV1.25-3.2	3	#4	3.2	5.7	6.5	21.2	10.0	1.7	4.2	0.8	100	● Red	Wire range : 0.5-1.5mm ² A. W. G. : (22-16) Max.current=19A									
SV1.25-3.5S	3.5	#6	3.7																			
SV1.25-3.5L	3.5	#6	3.7	6.4																		
SV1.25-4S	4	#8	4.3	6.4																		
SV1.25-4M	4	#8	4.3	7.2																		
SV1.25-4L	4	#8	4.3	8.1																		
SV1.25-5S	5	#10	5.3	9.5																		
SV1.25-5L	5	#10	5.3	9.5																		
SV1.25-6S	6	1/4 "	6.5	9.5																		
SV1.25-6L	6	1/4 "	6.5	12.0										11.0	27.2							
SV1.25-8	8	5/16 "	8.5	13.5										11.5	26.7							
SV2-3.2	3	#4	3.2	5.7										6.5	21.2	10.0	2.3	4.7	0.8	100	● Blue	Wire range : 1.5-2.5mm ² A. W. G. : (16-14) Max.current=27A
SV2-3.5S	3.5	#6	3.7																			
SV2-3.5L	3.5	#6	3.7	6.0																		
SV2-4S	4	#8	4.3	6.4																		
SV2-4M	4	#8	4.3	7.2																		
SV2-4L	4	#8	4.3	8.1																		
SV2-5S	5	#10	5.3	9.5																		
SV2-5L	5	#10	5.3	9.5																		
SV2-6S	6	1/4 "	6.5	9.5																		
SV2-6L	6	1/4 "	6.5	12.0	11.0	27.2																
SV2-8	8	5/16 "	8.5	13.5	11.5	27.0																
SV3.5-3.5	3.5	#6	3.7	8.0	7.7	25.3	13.0	2.9	6.2	1.0	100	● Black	Wire range : 2.5-4mm ² A. W. G. : (14-12) Max.current=37A									
SV3.5-4	4.0	#8	4.3																			
SV3.5-5	5.0	#10	5.3	8.0	7.7	25.3	13.0	2.9	6.2	1.0	100	● Black	Wire range : 2.5-4mm ² A. W. G. : (14-12) Max.current=37A									
SV3.5-6	6.0	1/4 "	6.5	12.0	9.1	28.5	13.0	2.9	6.2	1.0	100	● Black	Wire range : 2.5-4mm ² A. W. G. : (14-12) Max.current=37A									
SV3.5-8	8	5/16 "	8.5	14	11.5	30.7	13.0	2.9	6.2	1.0	100	● Black	Wire range : 2.5-4mm ² A. W. G. : (14-12) Max.current=37A									

Vinyl-Insulated Spade Terminals

- Maximum electrical rating: 600 volts
- Maximum temperature: 75°C
- Terminals material : copper
- Plating: Tin plated
- Insulation material: vinyl (PVC)



B

ITEM NO .	STUD SIZE		DIMENSION mm								PCS/ PACK	COLOR	EXPLANATION		
	Metric	American	d2	W	F	L	H	d1	D	T					
SV5.5-3.5	3.5	#6	3.7	8.3	7.0	25.5									
SV5.5-4S	4	#8	4.3	8.3											
SV5.5-4L	4	#8	4.3												
SV5.5-5	5	#10	5.3	9.0	7.0	25.5	13.0	3.4	6.5	1.0	100	● Yellow	Wire range : 4-6mm ² A. W. G. : (12-10) Max.current=48A		
SV5.5-6S	6	1/4 "	6.5												
SV5.5-6L	6	1/4 "	6.5	12.0	12.0	31.7									
SV5.5-8	8	5/16 "	8.5	14.0	11.5	30.7									
SV8-4	4	#8	4.3	9.0	7.6										
SV8-5	5	#10	5.3	9.0	8.1										
SV8-6	6	1/4 "	6.5	12.0	9.2	31.3	16.0	4.5	8.0	1.2	100	● Red	Wire range : 6-10mm ² A. W. G. : (8) Max.current=62A		
SV8-8	8	5/16 "	8.5	13.8											
SV8-10	10	3/8 "	10.5	15.9	10.7	32.9									
SV14-4	4	#8	4.3												
SV14-5	5	#10	5.3	9.0	9.5	36.5									
SV14-6	6	1/4 "	6.5	11.0			21.5	5.8	11.0	1.4	50	● Blue	Wire range : 10-16mm ² A. W. G. : (6) Max.current=10-16A		
SV14-8	8	5/16 "	8.5	13.8											
SV14-10	10	3/8 "	10.5	15.9	10.7	39.5									
SV22-5	5	#10	5.3												
SV22-6	6	1/4 "	6.5	11.0	9.5	39.3	23.5	7.7	13.0	1.6	50	● Yellow	Wire range : 16-25mm ² A. W. G. : (4) Max.current=16-25A		
SV22-8	8	5/16 "	8.5	16.5	13.5	45.0									