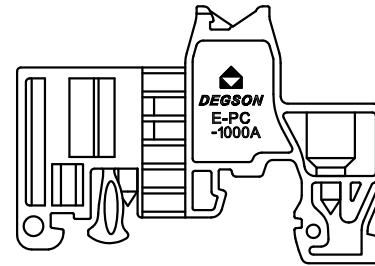
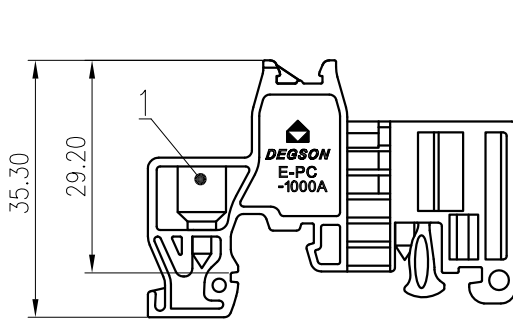


General tolerances(mm)												0.1/10 ±2'	
0 ~ 3	>3 ~ 6	>6 ~ 10	>10 ~ 18	>18 ~ 30	>30 ~ 50	>50 ~ 80	>80 ~ 120	>120 ~ 180	>180 ~ 250	>250 ~ 315	>315 ~ 400		>400 ~ 500
±0.12	±0.18	±0.22	±0.26	±0.31	±0.37	±0.57	±0.80	±0.93	±1.05	±1.15	±1.60	±2.20	±2.50



2	Screw	Steel	M3/Zn plated
1	Housing	PA66	UL94V-0
ITEM	NAME OF PART	MATERIAL	NOTES
Torque Tightening(N·m/Lb.in)			M3, 0.5/4.43
Pitch(mm)/Poles			9.50/01P
Operating temperature(°C)			-40~+105
Conform to RoHS			Yes

MATERIAL:	SURFACE:				
MAT NO.:	NINGBO DEGSON ELECTRICAL CO., LTD				
STATUS:					
APPD: Li GL 2020.06.10				NAME:	
CHKD: Mao J 2020.06.10				E-PC-01P-1Y-1000A(H)	
DRFT: Feng X 2020.06.09	DRAWING NO.:	E-PC-C03	REV T0		
⊕	SIZE: A4	TYPE: CUSTOMER DRAWING	SCALE: 1:1 SHEET 1/1		

REV	ECN	DESCRIPTION	DRFT	DATE